



得豐實業有限公司

Dfwisdom Industrial CO., LTD

SCT SCTS 開縫型/止付螺絲固定式/撓性聯軸器

Slitted / Set Screw Type / Flexible Coupling



SCT



SCTS

材質 | Material

SCT 系列-鋁合金 Aluminum alloy
SCTS 系列-不銹鋼 Stainless steel

表面處理 | Surface Treatment

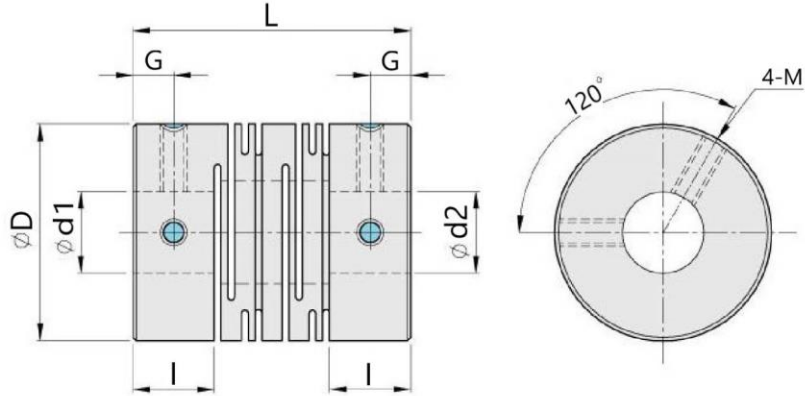
SCT-陽極處理 Anodizing standard white

特性 | Features

1. 一體成型
2. 零背隙
3. 剛性大
4. 適合譯碼器、小馬力傳動機構、高精度傳動上
5. 偏角誤差較佳
6. 不銹鋼材質扭力較佳
7. 固定方式：止付螺絲固定式

- One-body shape
- Zero backlash
- High rigid
- Suitable for encoder、low horsepower transmission bodies and high precision transmission mechanism.
- High deflection
- Torque in SUS is better
- Fixed mode : Set screw type

型號 d1/孔徑 d2/孔徑
Catalog Number Inside dia Inside dia
SCT-12- X



尺寸 Dimension

單位 / Unit : mm

Catalog Number 型號	D	I	L	G	M	d1xd2 標準孔徑(H7)		Mass** 重量(g)
						Min	Max	
SCT-8	8	3.5	14.0	1.7	M2	2	4	1.3
SCT-12	12	5.0	18.5	2.5	M2.5	3	6	4.5
SCT-16	16	6.5	23.0	3.0	M3	4	8	9.5
SCT-20	20	7.5	26.0	3.0	M4	5	10	16.0
SCT-25	25	8.5	31.0	4.0	M4	5	12	30.0
SCT-32	32	12.0	41.0	6.0	M5	6	14	65.0
SCT-40	40	15.0	56.0	8.5	M5	8	20	120.0
SCT-50	50	18.0	71.0	10.5	M6	12	25	230.0
SCT-63	63	22.0	90.0	13.0	M8	15	35	470.0
SCTS-12	12	5.0	18.5	2.5	M2.5	3	6	14.0
SCTS-16	16	6.5	23.0	3.0	M3	4	8	28.0
SCTS-20	20	7.5	26.0	3.0	M4	5	10	45.0
SCTS-25	25	8.5	31.0	4.0	M4	6	12	95.0
SCTS-32	32	12.0	41.0	6.0	M5	6	14	220.0
SCTS-40	40	15.0	56.0	8.5	M5	8	20	350.0
SCTS-50	50	18.0	71.0	10.5	M6	12	25	700.0
SCTS-63	63	22.0	90.0	13.0	M8	15	35	1300.0



得豐實業有限公司

Df Wisdom Industrial CO., LTD

SCT SCTS 開縫型 / 止付螺絲固定式 / 撓性聯軸器

Slitted / Set Screw Type / Flexible Coupling

規格特性 Specifications Characteristics

單位 / Unit : mm

Catalog Number 型號	Ratad Torque 一般扭力 (N . m)	Max Torque 最大扭力 (N . m)	Max Rotational Frequency最高 回轉速(rpm/min)	Moment* of inertia 慣性 (kg . m ²)	Errors of Eccentricity 容許偏心(mm)	Errors of Angularity 容許偏角(°)	Errors of Shaft End-Play容許 軸向位差(mm)
SCT-8	0.1	0.2	48000	1.2x10 ⁻⁸	0.10	2.0	± 0.2
SCT-12	0.2	0.4	32000	8.3x10 ⁻⁸	0.10	2.0	± 0.3
SCT-16	0.3	0.6	24000	3.3x10 ⁻⁷	0.10	2.0	± 0.4
SCT-20	0.5	1.0	19000	9.0x10 ⁻⁷	0.10	2.0	± 0.4
SCT-25	1.0	2.0	15000	2.6x10 ⁻⁶	0.15	2.0	± 0.5
SCT-32	2.0	4.0	12000	9.6x10 ⁻⁶	0.15	2.0	± 0.5
SCT-40	5.0	10.0	9600	3.2x10 ⁻⁵	0.20	2.0	± 0.5
SCT-50	10.0	20.0	7700	1.0x10 ⁻⁴	0.20	2.0	± 0.5
SCT-63	20.0	40.0	6100	3.2x10 ⁻⁴	0.20	2.0	± 0.5
SCTS-12	0.3	0.6	32000	2.1x10 ⁻⁷	0.10	2.0	± 0.3
SCTS-16	0.5	1.0	24000	8.4x10 ⁻⁷	0.10	2.0	± 0.3
SCTS-20	1.0	2.0	19000	2.4x10 ⁻⁶	0.10	2.0	± 0.3
SCTS-25	2.0	4.0	15000	6.8x10 ⁻⁶	0.15	2.0	± 0.4
SCTS-32	3.5	7.0	12000	2.6x10 ⁻⁵	0.15	2.0	± 0.5
SCTS-40	8.0	16.0	9600	8.7x10 ⁻⁵	0.20	2.0	± 0.5
SCTS-50	15.0	30.0	7700	2.7x10 ⁻⁴	0.20	2.0	± 0.5
SCTS-63	35.0	70.0	6100	8.4x10 ⁻⁴	0.20	2.0	± 0.5

SCT . STCS 標準孔徑 / Stock Bores

單位 / Unit : mm

Catalog Number 型號	Stock Bores 標準孔徑 d1xd2(公差H7)													
	2	3	4	5	6	6.35	8	9.525	10	12	14	15	16	18
SCT-8	●	●	●											
SCT-12		●	●	●	●									
SCT-16			●	●	●	●	●							
SCT-20				●	●	●	●	●	●					
SCT-25				●	●	●	●	●	●	●				
SCT-32					●	●	●	●	●	●	●			
SCT-40							●		●	●	●	●	●	
SCT-50										●	●	●	●	●
SCT-63												●	●	●
SCTS-12		●	●	●	●									
SCTS-16			●	●	●	●	●							
SCTS-20				●	●	●	●	●	●					
SCTS-25					●	●	●	●	●	●				
SCTS-32					●	●	●	●	●	●	●			
SCTS-40							●		●	●	●	●	●	●
SCTS-50										●	●	●	●	●
SCTS-63												●	●	●