



PFTS 緩衝式 Serie

選用型號

PFTS - $\text{\textcircled{1}}$ $\text{\textcircled{2}}$ - $\text{\textcircled{3}}$
 PFTS - 2A - 4 - N

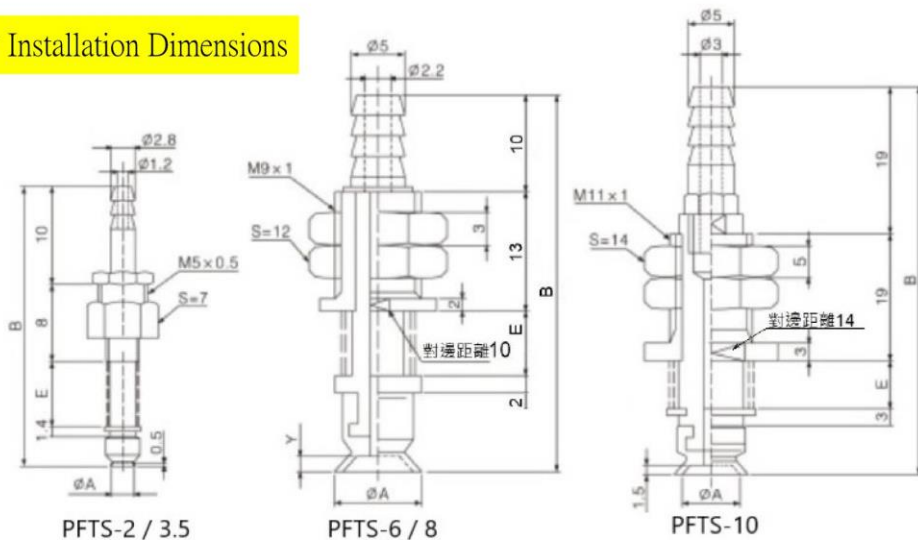
① 吸盤直徑 mm				② 行程 mm					
2A	Φ2	30	Φ30	2.5	3	4	5	6	10
3.5A	Φ3.5	35	Φ35	15	20	25	30	50	70
6A	Φ6	40	Φ40	③ 吸盤材質					
8A	Φ8	50	Φ50						
10A	Φ10	60	Φ60						
15	Φ15	80	Φ80						
20	Φ20	95	Φ95						
25	Φ25			N	丁腈橡膠NBR				
				S	矽橡膠				
				NE	抗靜電丁腈橡膠				
				SE	抗靜電矽橡膠				



規格特性 Specifications Characteristics

標示	材質	硬度	使用溫度範圍	顏色	膠體阻抗值
N	丁腈橡膠NBR	A55 / S	-26 °C ~ 120 °C	黑色	
S	矽橡膠	A55 / S	-60 °C ~ 250 °C	乳白色	
NE	抗靜電丁腈橡膠	A70 / S	-26 °C ~ 120 °C	黑色紅點	$10^5 \sim 10^7 \Omega / \text{cm}^3$
SE	抗靜電矽橡膠	A55 / S	-60 °C ~ 250 °C	黑色紅點	$10^5 \sim 10^7 \Omega / \text{cm}^3$

安裝尺寸 Installation Dimensions



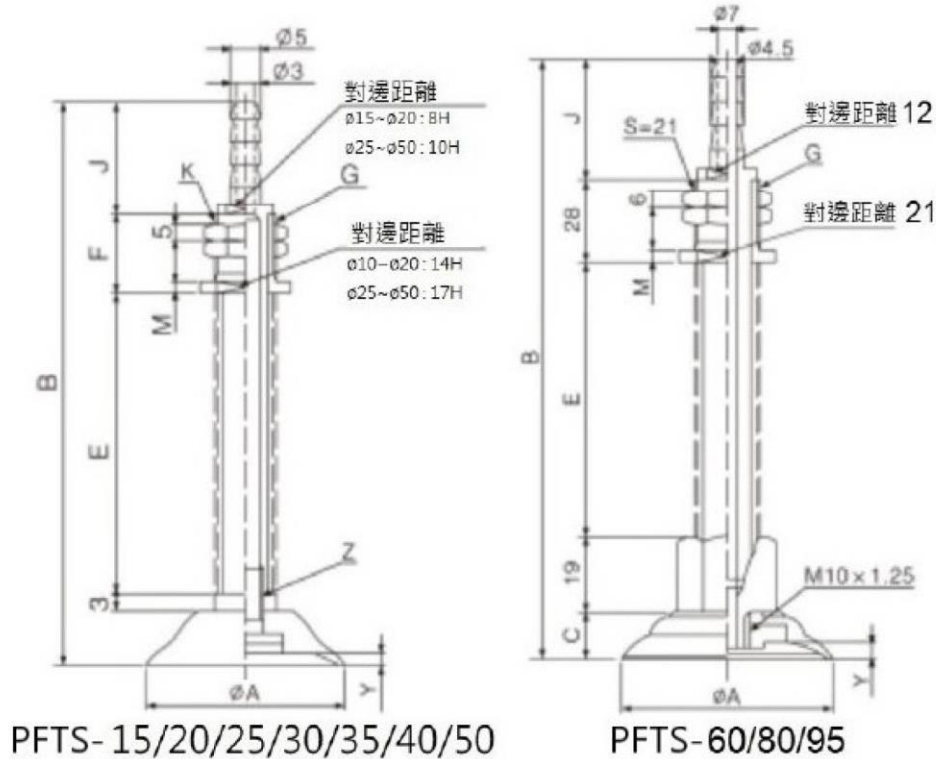


得豐實業有限公司

Dfwisdom Industrial CO., LTD

PFTS 緩衝式 Serie

安裝尺寸 Installation Dimensions



PFTS	A	B	E	Y
PFTS-2-2.5	2	28.5	5.1	---
PFTS-2-5	2	33.5	10.1	---
PFTS-3.5-2.5	3.5	28.5	5.1	---
PFTS-3.5-5	3.5	33.5	10.1	---
PFTS-6-3	6	37.5	6	0.8
PFTS-6-10	6	51.5	20	0.8
PFTS-6-15	6	61.5	30	0.8
PFTS-6-25	6	81.5	50	0.8

PFTS	A	B	E	Y
PFTS-8-3	8	38	6	1.2
PFTS-8-10	8	52	20	1.2
PFTS-8-15	8	62	30	1.2
PFTS-8-25	8	82	50	1.2
PFTS-10-4	10	56.5	8	1.5
PFTS-10-10	10	58.5	20	1.5
PFTS-10-20	10	88.5	40	1.5
PFTS-10-30	10	108.5	60	1.5

PFTS	A	B	E	F	J	S	Y	Z
PFTS-15-4	15	54	8	19	16	14H	1.9	M5
PFTS-15-10	15	66	20	19	16	14H	1.9	M5
PFTS-15-20	15	86	40	19	16	14H	1.9	M5
PFTS-15-30	15	106	60	19	16	14H	1.9	M5
PFTS-20-4	20	56	8	19	16	14H	2.3	M5
PFTS-20-10	20	68	20	19	16	14H	2.3	M5
PFTS-20-20	20	88	40	19	16	14H	2.3	M5
PFTS-20-30	20	108	60	19	16	14H	2.3	M5



得豐實業有限公司

Dfwisdom Industrial CO., LTD

PFTS 緩衝式 Serie

安裝尺寸 Installation Dimensions

PFTS	A	B	E	F	J	S	Y	Z
PFTS-25-6	25	71	13	24	17	17H	3.0	M6
PFTS-25-15	25	88	30	24	17	17H	3.0	M6
PFTS-25-30	25	118	60	24	17	17H	3.0	M6
PFTS-25-50	25	158	100	24	17	17H	3.0	M6
PFTS-30-6	30	69	13	24	17	17H	2.0	M6
PFTS-30-15	30	86	30	24	17	17H	2.0	M6
PFTS-30-30	30	116	60	24	17	17H	2.0	M6
PFTS-30-50	30	156	100	24	17	17H	2.0	M6
PFTS-35-6	35	71	13	24	17	17H	3.0	M6
PFTS-35-15	35	88	30	24	17	17H	3.0	M6
PFTS-35-30	35	118	60	24	17	17H	3.0	M6
PFTS-35-50	35	158	100	24	17	17H	3.0	M6
PFTS-40-6	40	71	13	24	17	17H	3.5	M6
PFTS-40-15	40	88	30	24	17	17H	3.5	M6
PFTS-40-30	40	118	60	24	17	17H	3.5	M6
PFTS-40-50	40	158	100	24	17	17H	3.5	M6
PFTS-50-6	50	72	13	24	17	17H	4.0	M6
PFTS-50-15	50	89	30	24	17	17H	4.0	M6
PFTS-50-30	50	119	60	24	17	17H	4.0	M6
PFTS-50-50	50	159	100	24	17	17H	4.0	M6
PFTS-60-10	60	110.5	20	---	---	---	5.0	---
PFTS-60-30	60	150.5	60	---	---	---	5.0	---
PFTS-60-50	60	190.5	100	---	---	---	5.0	---
PFTS-60-70	60	230.5	140	---	---	---	5.0	---
PFTS-80-10	80	112.5	20	---	---	---	6.0	---
PFTS-80-30	80	152.5	60	---	---	---	6.0	---
PFTS-80-50	80	192.5	100	---	---	---	6.0	---
PFTS-80-70	80	232.5	140	---	---	---	6.0	---
PFTS-95-10	95	113	20	---	---	---	6.0	---
PFTS-95-30	95	153	60	---	---	---	6.0	---
PFTS-95-50	95	193	100	---	---	---	6.0	---
PFTS-95-70	95	233	140	---	---	---	6.0	---