



# 得豐實業有限公司

## Dfwisdom Industrial CO., LTD

### HTR-HJ-10 中空軸心型 (ROTARY ENCODER HOLLOW SHAFT)

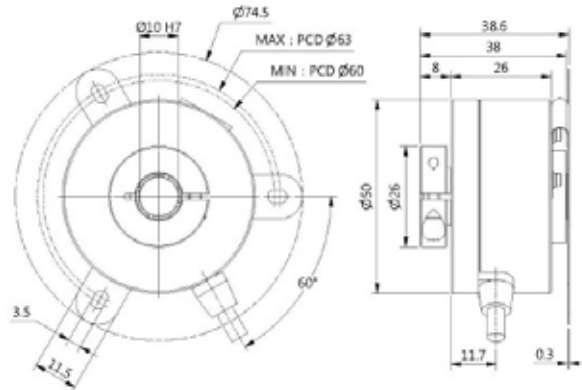
Thru - Hub Diameter 10 mm

NPN Voltage , NPN Open Collector , Push Pull

DC 5 ~ 26V



DIMENSION



### ELECTRICAL SPEC 電器規格

Detection System 檢測系統	Incremental 增量型
Output Wave 輸出波形	Square Wave 方波
Standard Number of Pulse Per Revolution 解析	2,5,12,20,30,40,50,60,80,120,150,180,200,250,300,360,400,500,512,600,720,800,900,1000,1024,1200,1250,1500,1800,2000,2048,2500
Output Phase 輸出相	ABZ phase
Electronics 電路特性	NPN Voltage 電壓型, NPN Open Collector 電流型, Push Pull 推挽式
Power Supply 供應電源	DC 5 ~ 26V
Current Consumption 消耗電流	$\leq 60\text{mA}$
Output Capacity 輸出容量	Sync. Current : 20mA , Residual Voltage : 0.5V or less
Max. Response 最大響應頻率	10K Hz ~ 100K Hz
Phase Different 相位差	A , B phase different $90^\circ \pm 45^\circ$ (T/4 $\pm$ T/8) , Z phase T $\pm$ T/2
Wave Form Rise / Fall 波形上下時間	$2\mu\text{s}$ or less
Polarity 極性保護	Against Reverse Protection

### MECHANICAL SPEC 機械規格

Hollow Shaft Diameter 軸徑	10 mm
Shaft Loading 軸荷重	Axial 軸向 : 1 kg , Radial 徑向 : 2 kg
Starting Torque(at 25°C) 起動轉矩	30 gf-cm or less
Max. Speed 最大機械容許轉速	6,000 rpm
Vibration 震動	10 - 55 Hz / 1.5 mm Vpp. 10 G( Max. )
Shock 衝擊	20 g per 11 ms
Cable 電線	$\phi 4.5$ , 1000 mm long
Weight 重量	$\leq 200\text{g}$

### ENVIRONMENTAL SPEC 環境規格

Operating Temp./ Humidity 操作溫度/濕度	$0^\circ\text{C} \sim 60^\circ\text{C}$ , RH 35 % ~ 90 % (No Condensation)
Storage Temp. 儲存溫度	$-20^\circ\text{C} \sim 70^\circ\text{C}$
Protection 保護等級	IP50 : Dust Proof

### Specifications Model 規格 型號

HTR-HJ - 10 -	<input type="text"/>	A-	<input type="text"/>
	Pulse / Revolution 解析		Electronics 電路特性
	2,5,12,20,30,40,50,60,80,120, 150,180,200,250,300,360,400, 500,512,600,720,800,900,1000, 1024,1200,1250,1500,1800,2000, 2048,2500		V : NPN Voltage C : NPN Open Collector P : Push Pull