

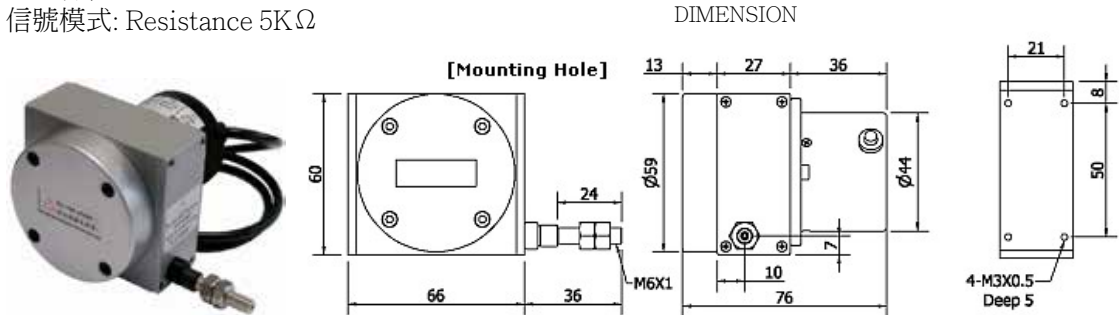


得豐實業有限公司

Df Wisdom Industrial CO., LTD

HPS-S-R 拉線式電阻尺 (Linear Wire Potentiometer)

適合量測較短行程
量測行程 500 / 1000 mm
信號模式: Resistance 5KΩ



PRECISION ELECTRIC RESISTANCE SIGNAL OUTPUT
SUITABLE FOR SHORT MEASUREMENT RANGE

ELECTRICAL SPEC 電器規格

Full Stroke (mm) 量測行程	500,1000
Sensor	Wire - wound and hybrid potentiometer
Output Signal Mode 輸出信號模式	Resistance (Potentiometer)
Resolution 解析	Essentially infinite
Linearity 線性度	(standard class) ±0.25%FS (precision class) ±0.1%FS (±1 count)
Repeatability 重覆性	±0.02%FS
Output Resistance 輸出電阻值	(standard class) 5K ohm ±10%FS (precision class) 5K ohm ±5%FS
Power Rating(watts)	[stroke 500 mm] 1 W at 40 °C ; [stroke 1000 mm] 2 W at 40 °C
Recommend Input Voltage 輸入電壓	30V(AC/DC) Max., best voltage at 5 ~ 10VAC / VDC

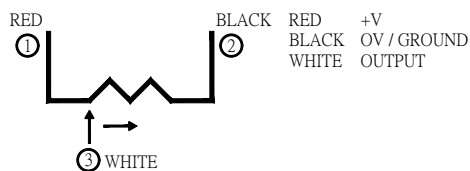
MECHANICAL SPEC 機械規格

Wire Specification 線徑規格	Material SUS304 with nylon coating Diameter ; 0.6 mm ; Breaking load : 16 kg
Max. Travel Speed 最大往復速度	500 mm / sec.
Vibration 震動	10 Hz to 2000 Hz 10g
Cable 電線	Φ4.2 , 50 cm long
Weight 重量	< 600 g
Starting Torque on Spring 拉力	< 600 g

ENVIRONMENTAL SPEC 環境規格

Operating Temp. / Humidity 操作溫度/濕度	-20 °C ~ 70 °C, RH 35 % ~ 90 % (No Condensation)
Storage Temp. 儲存溫度	-20 °C ~ 80 °C
Protection 保護等級	IP 50 Dust Proof (only for potantiometer housing)

Electrical Connection 接線圖



Specifications Model 規格 型號

HPS-S -	[]	-	[]	-	[]
	Measuring Range 量測行程		Signal Mode 信號模式		Life 壽命及線性度
	05 : 500 mm 10 : 1000 mm		R : Resistance 5K ohm		Blank : 1 x 10 ⁶ cycles , linearity 0.25%FS F : 5 x 10 ⁶ cycles , linearity 0.1%FS F25 : 5 x 10 ⁶ cycles , linearity 0.25%FS