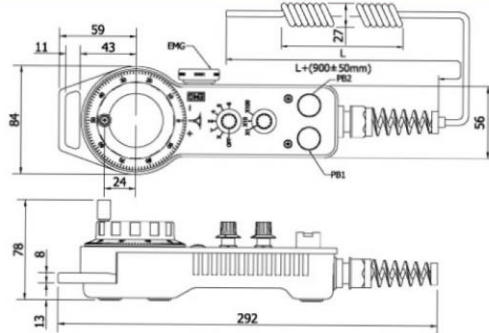




得豐實業有限公司

Dfwisdom Industrial CO., LTD

HPG-A 全功能配備型 (手握式) Pendant Hand Held



ELECTRICAL SPEC 電器規格 manual pulse generator

Detection System 檢測系統	Incremental 增量型
Output Wave 輸出波形	Square Wave 方波
Standard Number of Pulse Per Revolution 解析	25, 100
Output Phase 輸出相	AB phase
Electronics 電路特性	NPN Voltage 電壓型, NPN Open Collector 電流型 or Line Driver 差動式
Power Supply 供應電源	DC 8 ~ 26V, DC 5V fixed
Current Consumption 消耗電流	< 60mA
Output Capacity 輸出容量	Sync. Current : 20mA, Residual Voltage : 0.5V or less
Max. Response 最大響應頻率	10 K Hz
Phase Different 相位差	A, B phase different 90° ± 45° (T/4 ± T/8)
Wave Form Rise / Fall 波形上下時間	2 μs or less

DIMENSION

MECHANICAL SPEC 機械規格 manual pulse generator

Shaft Loading 軸荷重	Axial 軸向 : 1 kg, Radial 徑向 : 2 kg
Starting Torque (at 25°C) 起動轉矩	260 g - cm
Max. Speed 最大機械容許轉速	500 rpm (Maximum 瞬間容許速度) 200 rpm (Continuous 連續容許速度)
X.Y.Z. Vibration 震動	10 ~ 50 Hz / 1.5 mm X.Y.Z. 2 hr
Shock 衝擊	50 g per 11 ms
Rotational Life 迴轉壽命	10 ⁶ cycles (200 rpm)
Weight 重量	≦ 1500 g

ENVIRONMENTAL SPEC 環境規格

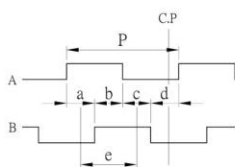
Operating Temp./ Humidity 操作溫度/濕度	-10°C ~ 60°C, RH 35% ~ 90% (No Condensation)
Storage Temp. 儲存溫度	-20°C ~ 80°C
Protection Grade 保護等級	IP 64

SWITCHES SPEC.(max.) 開關規格

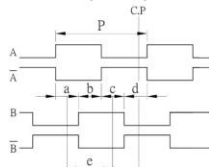
Rotary Switch	Push Button Electric Rating	Emergency Stop Switch Contact Rating 接點
Max. Voltage 最大電壓 28V AC / DC max.	1.AC250V 0.3A, AC 125V 5A	1.With AC Load AC250V 0.5A
Current 電流範圍 10 mA	2.DC 250V 0.1A, DC 24V 5A	Resistance AC125V 4.0A
Operating Torque 0.005 ~ 0.02 Nm		2.With DC Load Resistance DC 30V 1.0A

Output Wave Form 輸出波形 (Clockwise rotation is "CW Rotation" looked from the front side)

NPN Voltage / NPN Open Collector



Line Driver



- P = 1P/R : a.b.c.d = P/4 ± P/6
- C.P = click point 停止點信號 (For 25 P/R, C.P is at each position of a.b.c.d. 25 PPR 的停止點信號在 a.b.c.d 各個位置)
- Point e is recommended as the system switching timing. e 點為建議信號讀取/切換的範圍。



得豐實業有限公司

Dfwisdom Industrial CO., LTD

HPG-A 全功能配備型(手握式) Pendant Hand Held

ELECTRICAL CONNECTION 電器連接

		COLOR of WIRE	FUNCTION
DIAL BODY	encoder	Brown 棕	+V
		Red 紅	0V
		Orange 橘	CH A
		Pink 粉紅	CH B
		Yellow 黃	CH /A
		Green 綠	CH /B
Axis Switch Selecting		Light Green 淺綠	OFF
		Blue 藍	X
		Purple 紫	Y
		Gray 灰	Z
		Blue/White 藍/白	4
		Black 黑	5
Rate Switch Selecting		Brown/White 棕/白	X 1
		Red/White 紅/白	X 10
		Red/Black 紅/黑	X 100
		Orange/White 橘/白	Switch Common
Emergency Stop		Gray/Black 灰/黑	Emergency Contact
		Black/White 黑/白	Emergency Common
Push Button		Yellow/Black 黃/黑	Option PB1
		Green/White 綠/白	Option PB2
		Green/Black 綠/黑	Option PB Common

POINT TO POINT			
	OFF		
X			
Y			
Z			
4			
5			
6			

BINARY CODE TYPE (PNP)			
	Purple	Blue	Light Green
OFF	0	0	0
X	0	0	1
Y	0	1	0
Z	0	1	1
4	1	0	0
5	1	0	1
6	1	1	0

BINARY CODE TYPE (NPN)			
	Purple	Blue	Light Green
OFF	1	1	1
X	1	1	0
Y	1	0	1
Z	1	0	0
4	0	1	1
5	0	1	0
6	0	0	1

Red/White			Brown/White		
X 1	0	0	X 1	1	1
X 10	0	1	X 10	1	0
X 100	1	0	X 100	0	1

Specifications Model 規格 型號

HPG - A -	代碼 1	代碼 2	代碼 3	代碼 4	代碼 5
	Push Button Qty. 按鈕數量	Push Button Action 按鈕設定	Emergency Stop 緊急停止按鈕	Switch Function 旋鈕設定	Switch Axis 旋鈕軸數
	A:with PB1 B:with PB1&PB2	1:Momentary 自保持 Normal Open 1A 2:Momentary 自保持 Normal Class 1B 3:Alternate 寸動 Normal Open 1A 4:Alternate 寸動 Normal Class 1B [Standard] Momentary Action	E:with EMG Stop O:without EMG Stop [Standard] Momentary Action	P:Point to Point N:Binary Code (PNP) A:Binary Code (NPN) O:without Switch	6:6Axis (OFF-X-Y-Z - 4 - 5 - 6)
	代碼 6	代碼 7	代碼 8	代碼 9	
	Supporting Foot 腳墊	PPR 解析	Electronics 電路特性	Coble 電線	
	R:Rubber Legs * M:Magnet	A:100 PPR B:25 PPR	V:NPN Voltage 8 ~ 26Vdc V5:NPN Voltage 5Vdc C:NPN Open - Colletor 5 ~ 26V L:Line Driver 5Vdc * HL:Line Driver 5 ~ 26Vdc	S3: 3 m * S5: 5 m	

[*] OPTION 選購規格