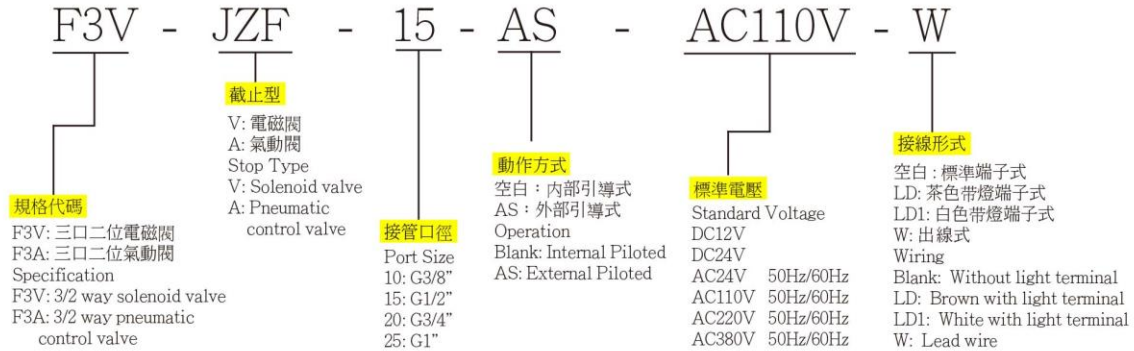




F3VJZF 三口二位截止式電磁閥 3/2 Way Stop Solenoid Valve Series

● 訂購代碼 Ordering Code



● 規格特性 Specifications Characteristics

型號 Model	F3VJZF-15/10	F3VJZF-25/20	F3AJZF-15/10	F3AJZF-25/20
工作介質 Working Medium	空氣 Air			
動作方式 Operation	截止式 Stop Type			
流量孔徑 Orifice	16mm	25mm	16mm	25mm
接管口徑 Port Size	G1/2" / G3/8"	G1" / G3/4"	G1/2" / G3/8"	G1" / G3/4"
使用壓力 Working-pressure	0~1.0MPa			
最大耐壓力 Max. Test Pressure	1.5MPa			
電壓範圍 Operating Voltage Tolerance	±10%			
本體材質 Material of Body	鋁 Aluminum			



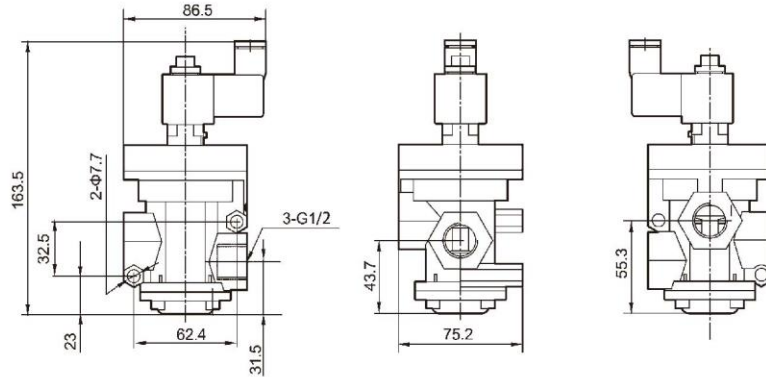
得豐實業有限公司

Dfwisdom Industrial CO., LTD

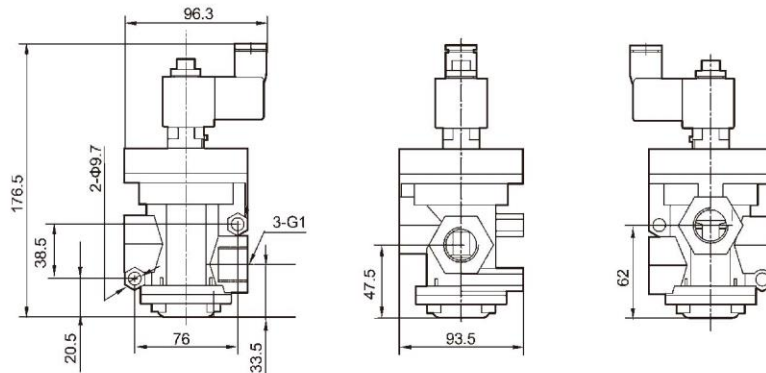
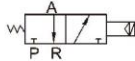
F3VJZF 三口二位截止式電磁閥 3/2 Way Stop Solenoid Valve Series

● 安裝尺寸 Installation Dimensions

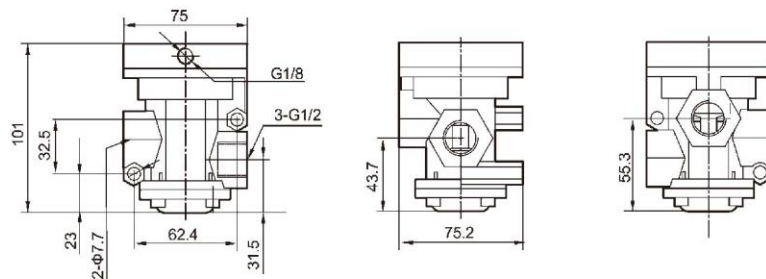
F3VJZF-15



F3VJZF-25



F3AJZF-15



F3AJZF-25

