

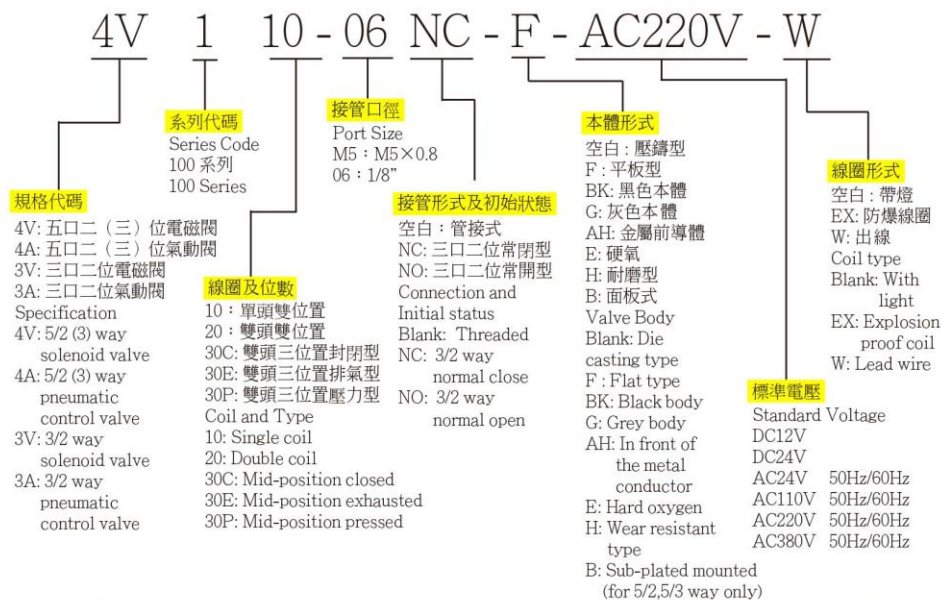


得豐實業有限公司

Dfwisdom Industrial CO., LTD

4V100系列電磁閥、氣動閥 Solenoid Valve, Pneumatic Control Valve Series

● 訂購代碼 Ordering Code



● 規格特性 Specifications Characteristics

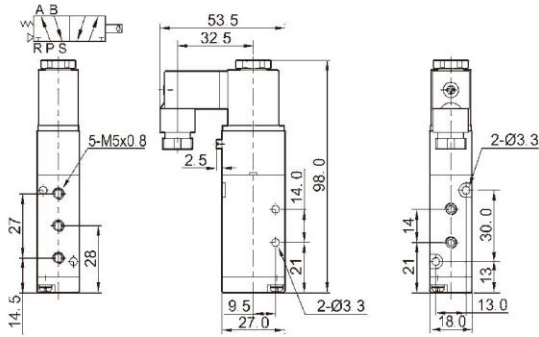
| | | | | | |
|------------------------------------|--|----------|-----------|---------------------------|-----------|
| 型號 Model | 4V110-06 | 4V120-06 | 4V130C-06 | 4V130E-06 | 4V130P-06 |
| | 4A110-06 | 4A120-06 | 4A130C-06 | 4A130E-06 | 4A130P-06 |
| 位置數 Valve Type | 五口二位 5/2 way | | | 五口三位 5/3 way | |
| 有效截面積 Effective Cross Section Area | 12mm ² (CV=0.67) | | | 9mm ² (CV=0.5) | |
| 型號 Model | 3V110-06 | 3V120-06 | 3A110-06 | 3A120-06 | |
| 位置數 Valve Type | 三口二位 3/2 way | | | | |
| 有效截面積 Effective Cross Section Area | 12mm ² (CV=0.67) | | | | |
| 接管口徑 Port Size | 進氣=出氣=排氣 Inlet Outlet Exhaust Port=1/8" | | | | |
| 工作介質 Working Medium | 經40微米過濾的空氣 40 Micron Filtered Air | | | | |
| 動作方式 Operation | 內部引導式 Internal Piloted | | | | |
| 使用壓力 Working-pressure | 0.15~0.8MPa | | | | |
| 最大耐壓力 Max. Test Pressure | 1.2MPa | | | | |
| 工作溫度 Ambient Temperature | 5~50 °C | | | | |
| 電壓範圍 Operating Voltage Tolerance | ±10% | | | | |
| 耗電量 Power Consumption | AC: 2.8VA DC: 2.8W | | | | |
| 絕緣性及防護等級 Connector Protection | F級 / F Class · IP65 | | | | |
| 接線形式 Wiring / Connector | 出線式或端子式 Cable / Lead Wire or DIN Connector | | | | |
| 最高動作頻率 Switching Frequency | 每秒五次 5 Cycles / Sec. | | | | |
| 最短勵磁時間 Response Time | 0.05秒 Sec. | | | | |



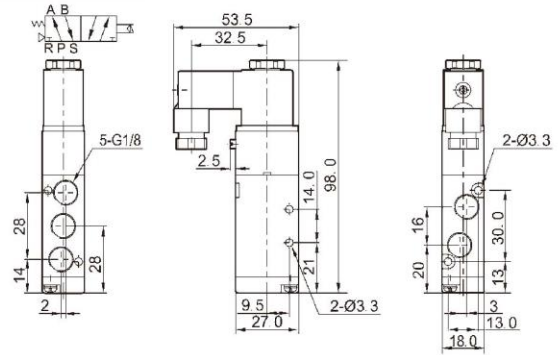
4V100系列電磁閥、氣動閥 Solenoid Valve, Pneumatic Control Valve Series

● 安裝尺寸 Installation Dimensions

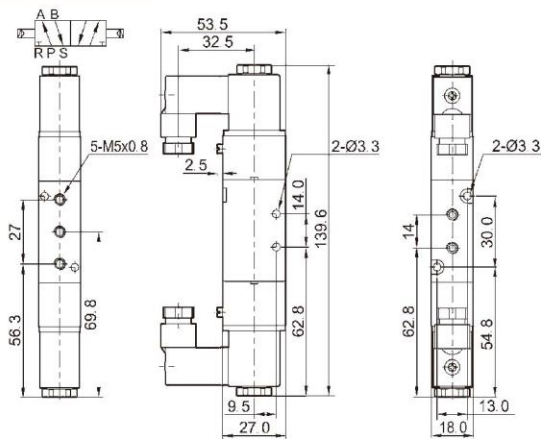
4V110-M5



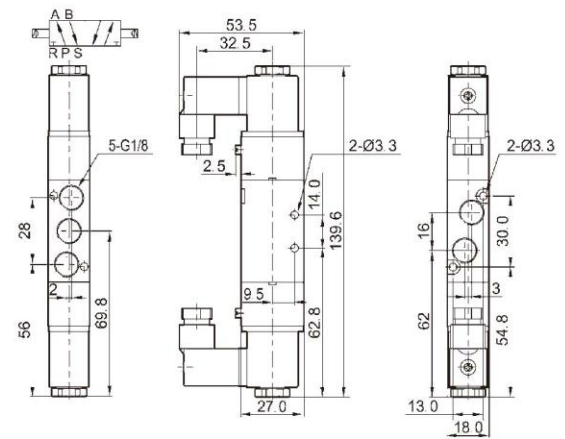
4V110-06



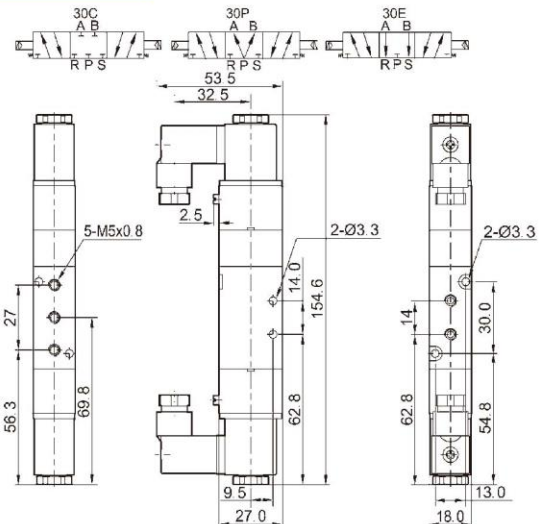
4V120-M5



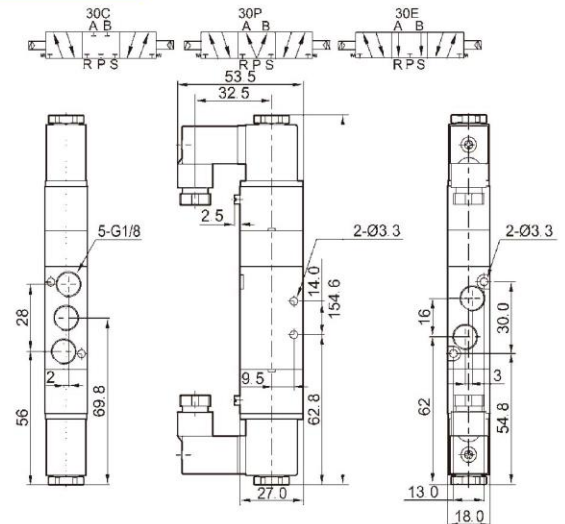
4V120-06



4V130-M5



4V130-06

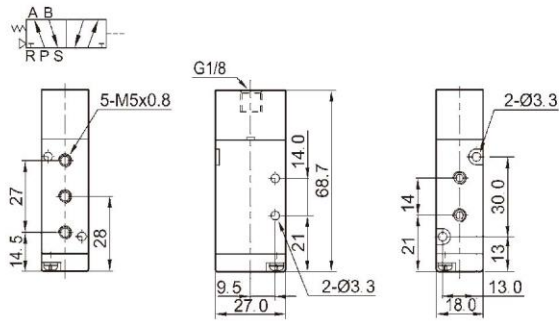




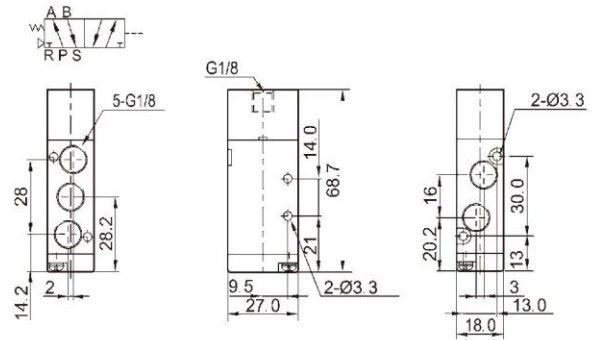
4V100系列電磁閥、氣動閥 Solenoid Valve, Pneumatic Control Valve Series

● 安裝尺寸 Installation Dimensions

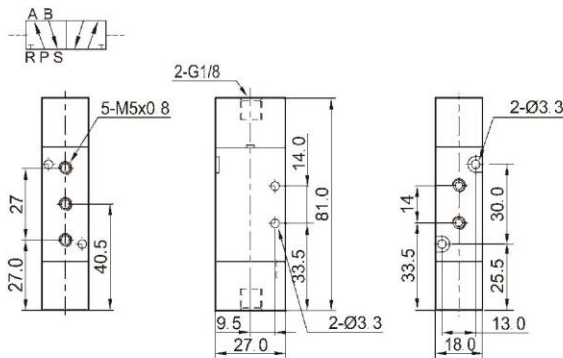
4A110-M5



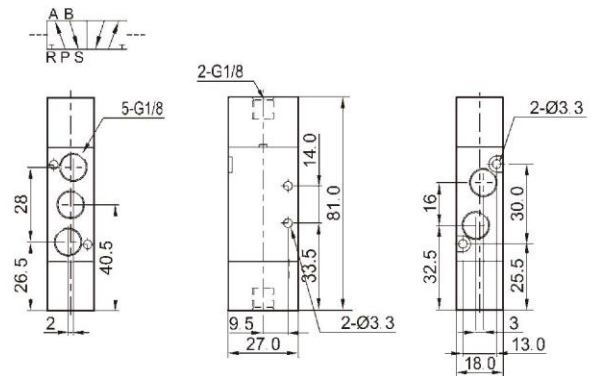
4A110-06



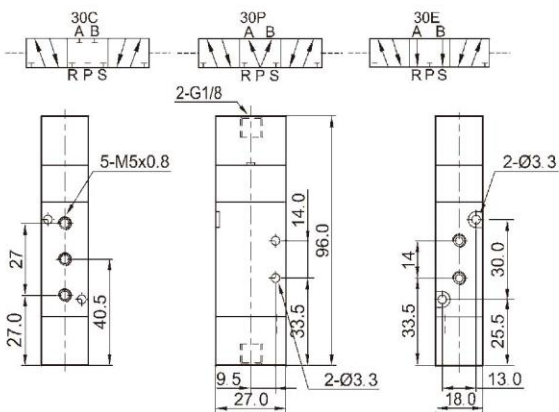
4A120-M5



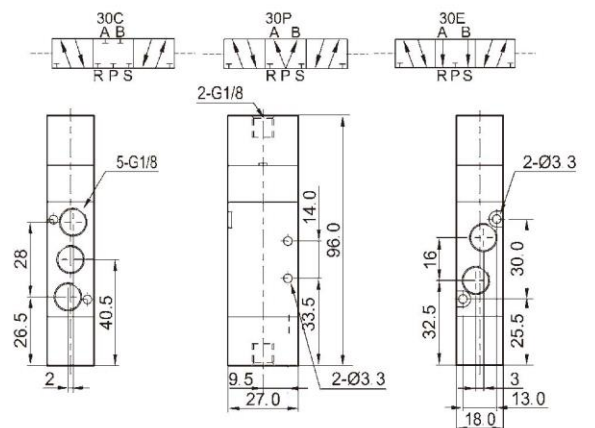
4A120-06



4A130-M5



4A130-06





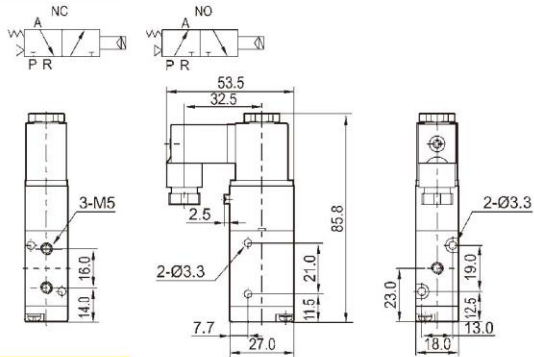
得豐實業有限公司

Dfwisdom Industrial CO., LTD

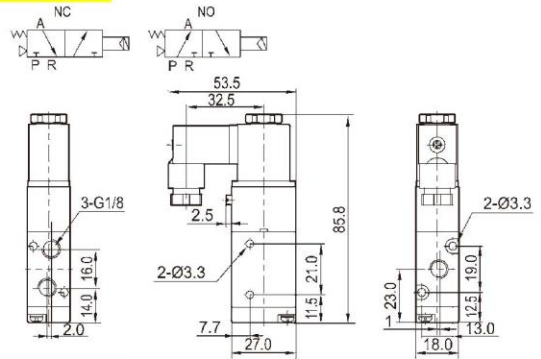
4V100系列電磁閥、氣動閥 Solenoid Valve, Pneumatic Control Valve Series

● 安裝尺寸 Installation Dimensions

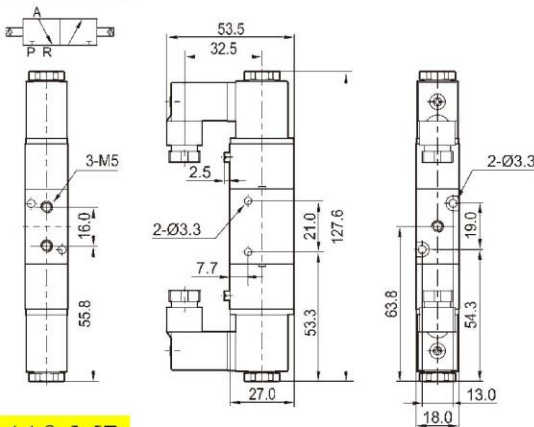
3V110-M5



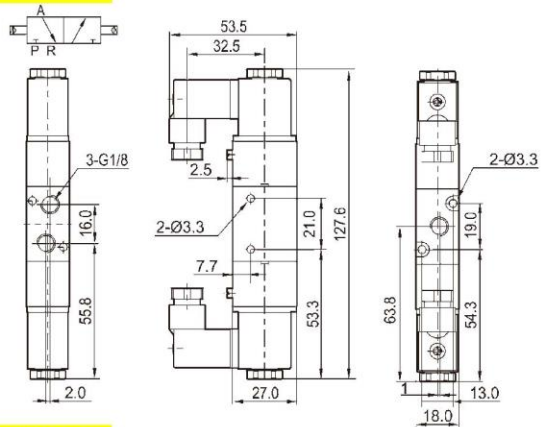
3V110-06



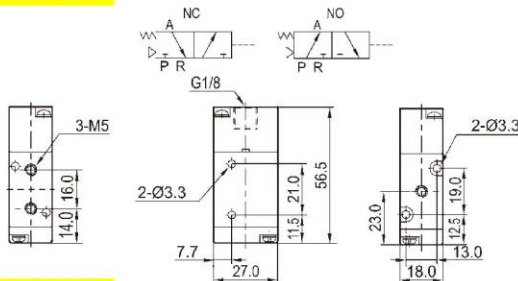
3V120-M5



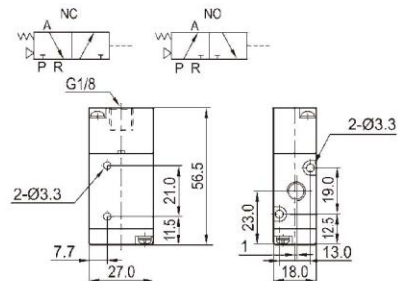
3V120-06



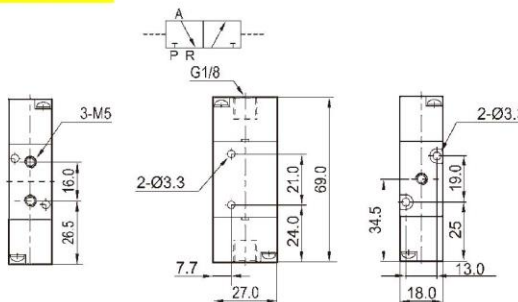
3A110-M5



3A110-06



3A120-M5



3A120-06

